

Flat Roof Vents

b/s/t ALIT Vent WD

Stacking element

Specification ←

Material

Aluminium

Including plastic weather cap (removable),
high impact strength, UV-stabilised

Membrane flange

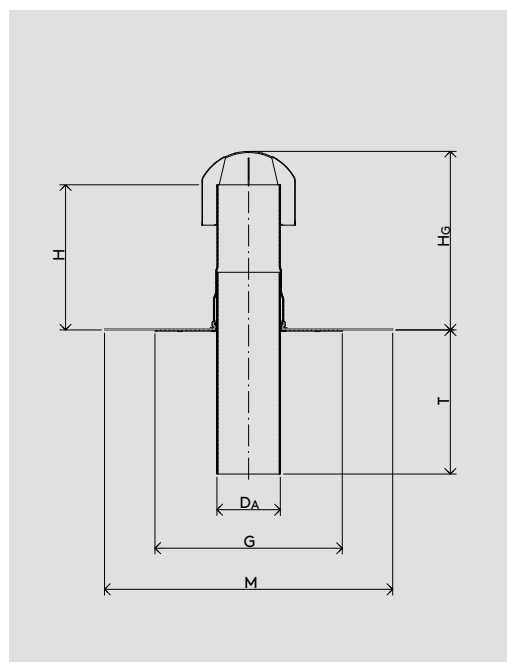
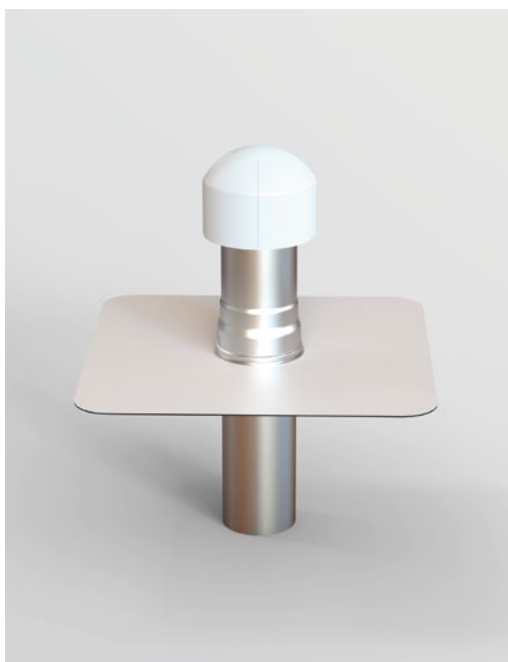
Polyolefin, EPDM, ECB, PIB, PVC etc.

(see page 158 – 159)

INFO

Please order ←
membrane
flange
separately

Special models ←
on request*



WG 1211 ←

Nominal Width	Product No.	$D_A \varnothing$ [mm]	AL** [cm ²]	G \varnothing [mm]	M [mm]	H [mm]	H _G [mm]	T [mm]
DN 70	A111-WD070	75	39	325	500	250	290	300
DN 100	A111-WD100	110	88	325	500	250	310	300
DN 125	A111-WD125	125	115	325	500	250	315	300
DN 150	A111-WD150	160	191	325	500	300	380	300

* Custom-made products cannot be returned.

** AL = ventilation cross-section

Status: 03/22 b/s/t GmbH Koch Kunststofftechnologie reserves the right to make technical modifications.